

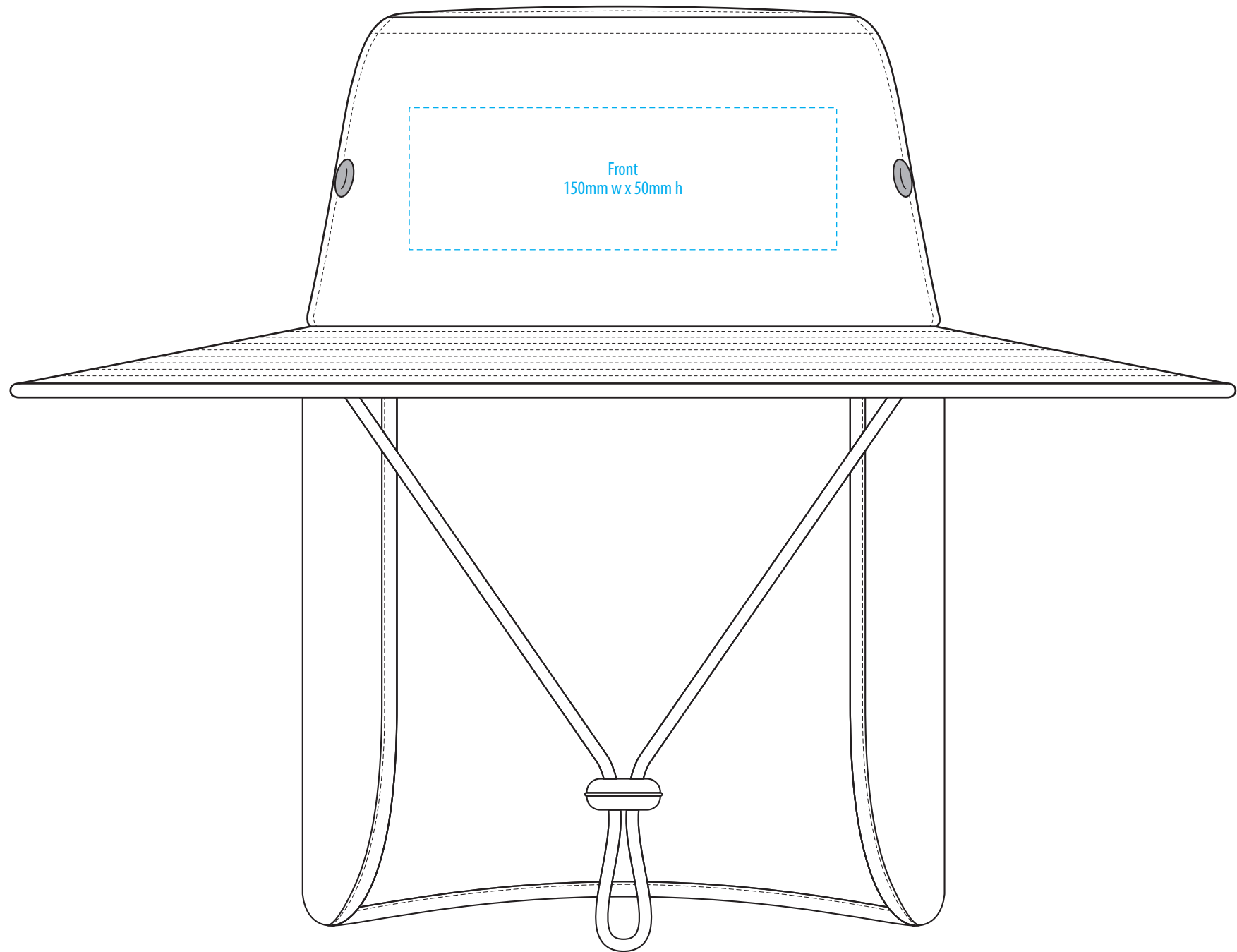
4295

COLOURWAYS



-----  
COLOUR

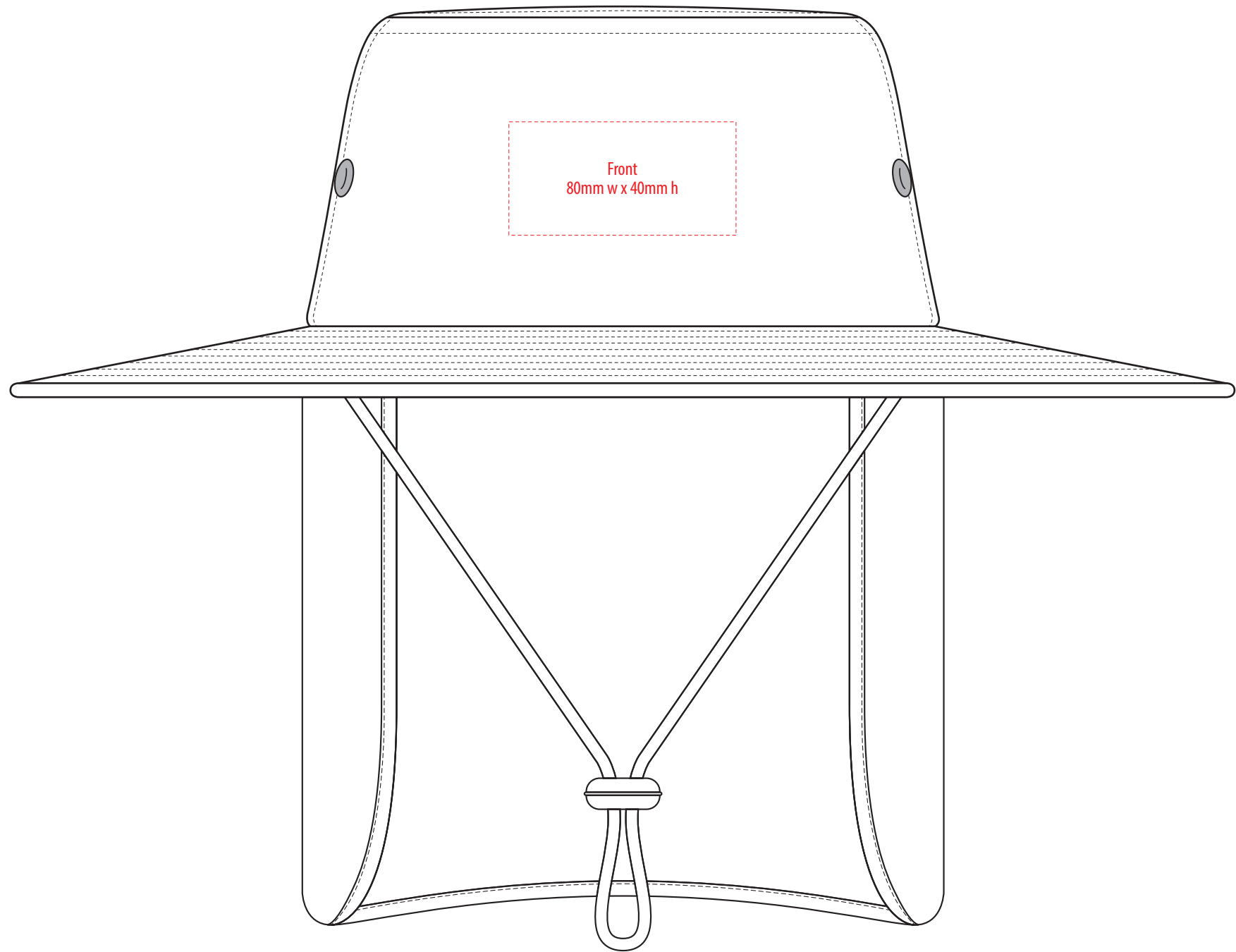
4295



Front  
150mm w x 50mm h

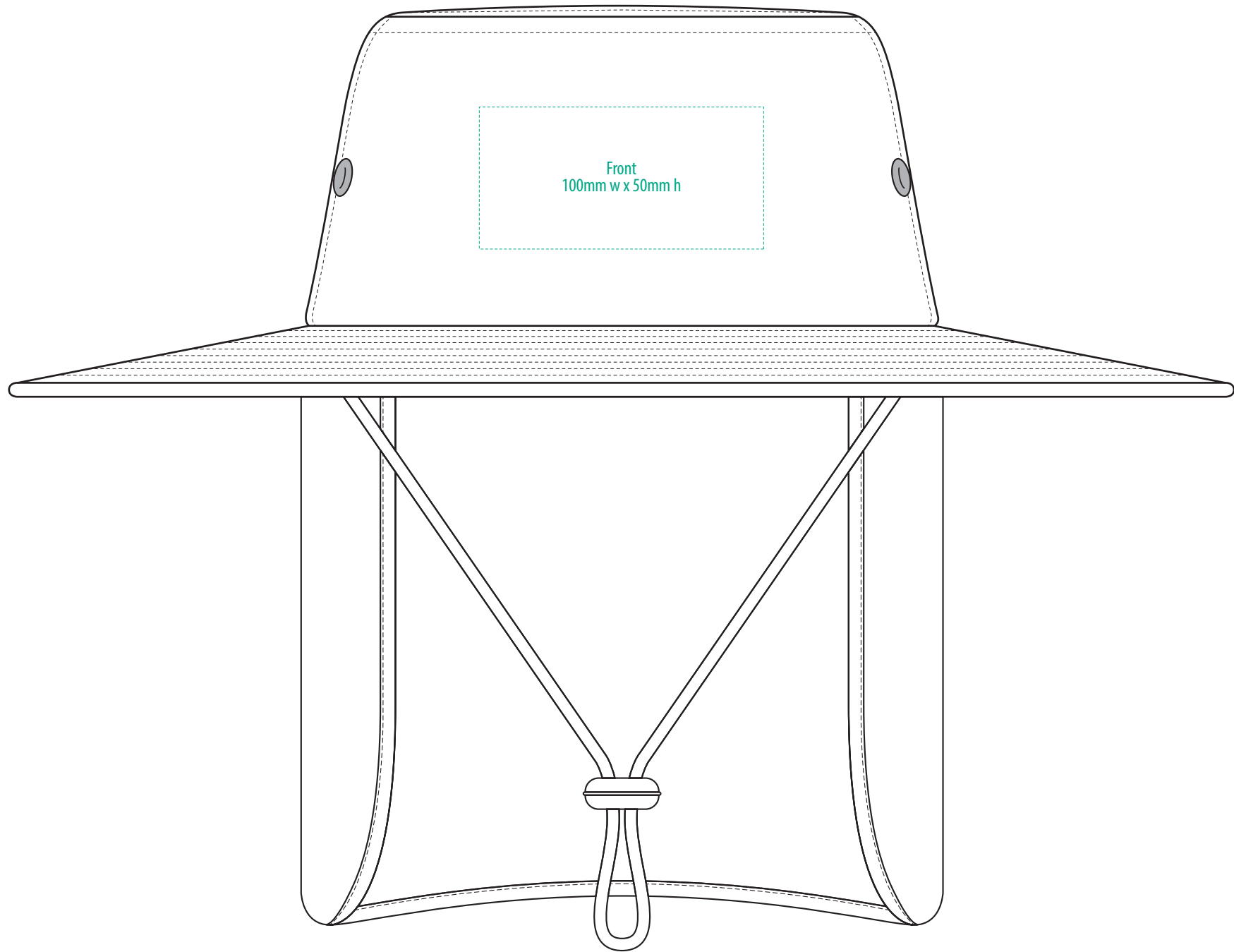
-----  
EMBROIDERY

4295



-----  
SUPACLOUR

4295



-----  
SUPASUB / SUPAETCH / SUPAFLEX  
[ PATCH MUST BE AT LEAST 25MM X 25MM ]