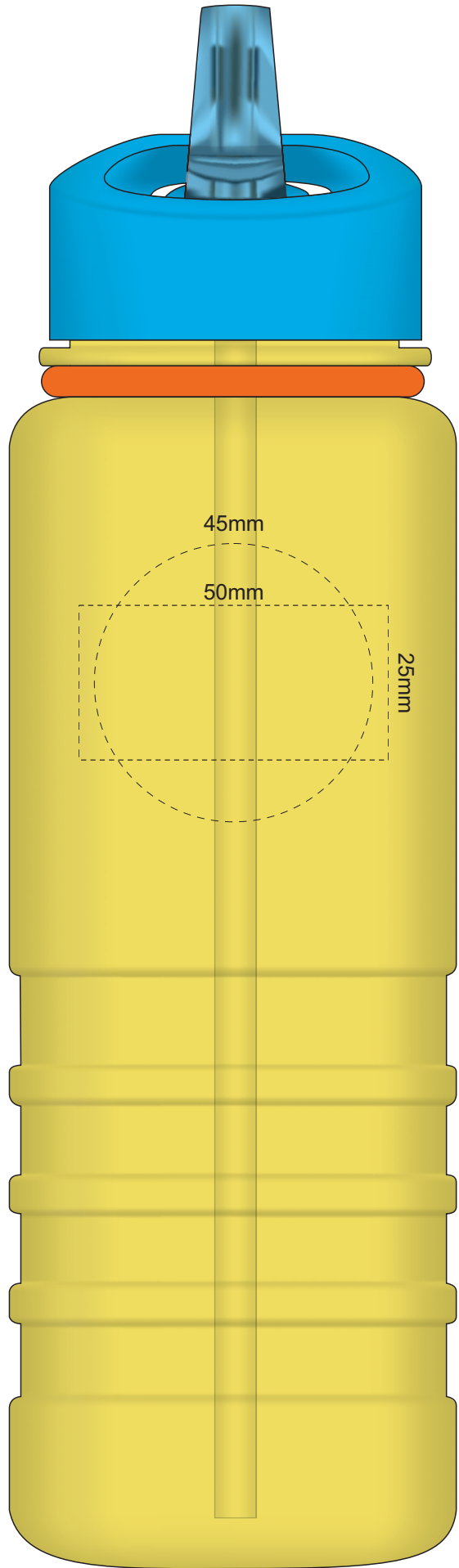
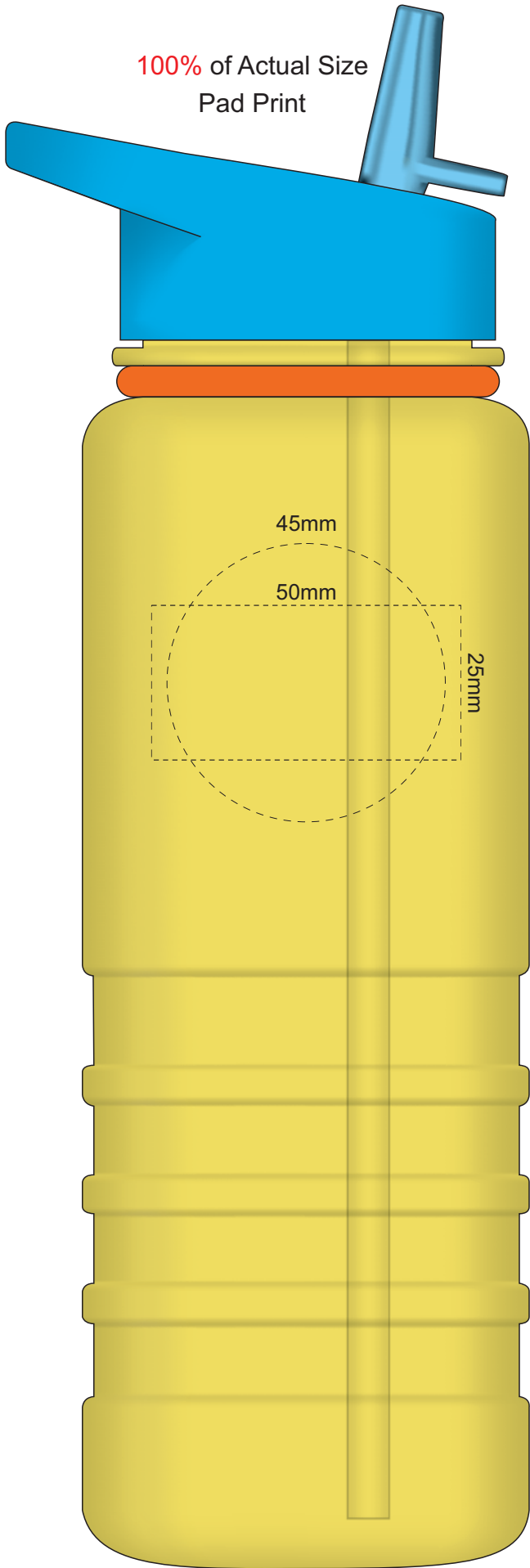


clear bottle only



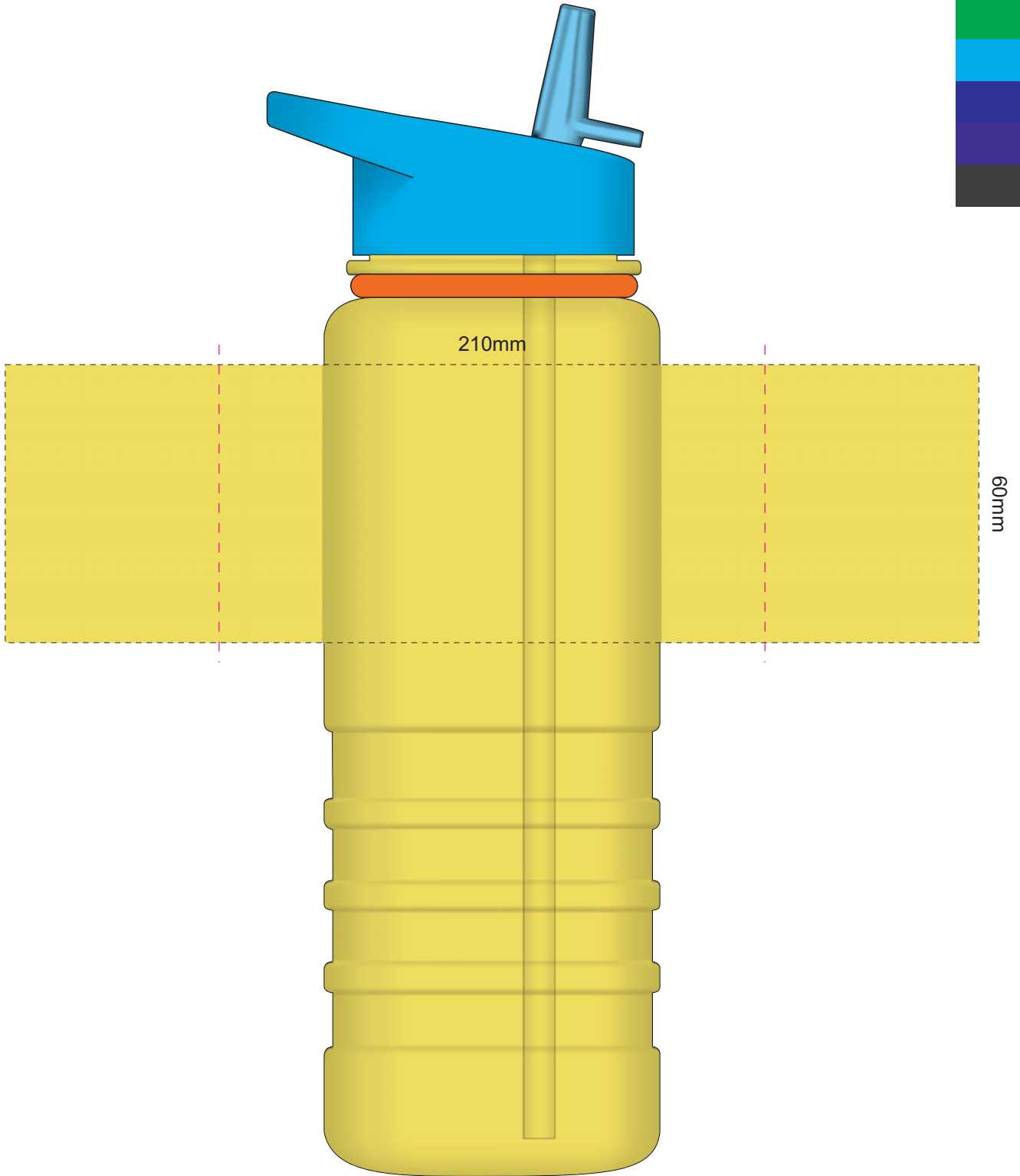
100% of Actual Size  
Pad Print



clear bottle only

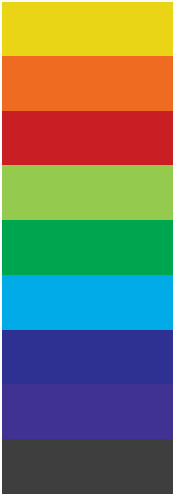


80% of Actual Size  
Screen Print

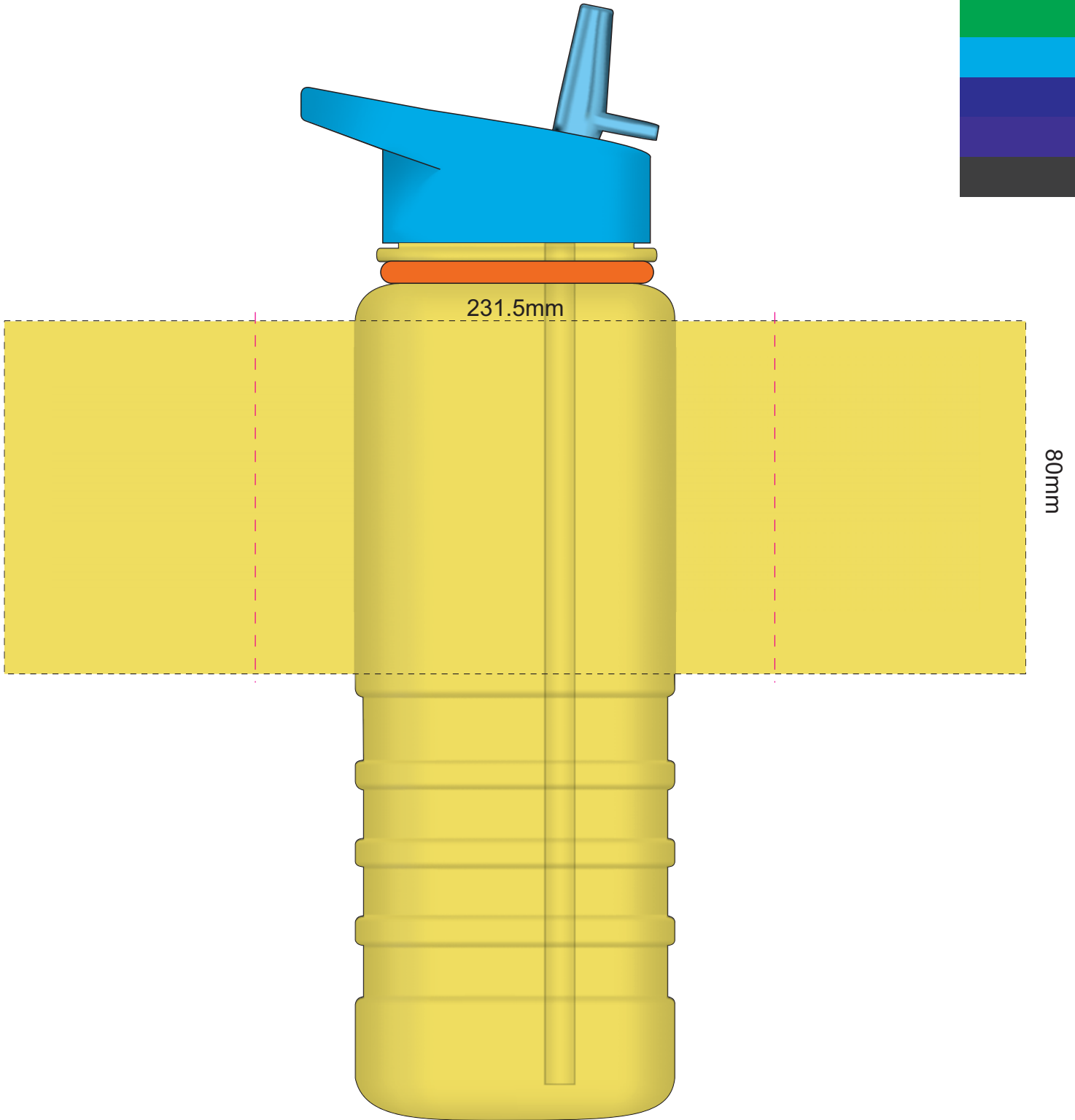


Red Line = Exact opposites of the product  
(centre artwork to the red line)

clear bottle only



80% of Actual Size  
Digital Rotary



Red Line = Exact opposites of the product  
(centre artwork to the red line)